

YCSE / YCRE Style C

Water-cooled or remote air-cooled screw compressor chiller

Cooling capacities from 140 kW to 249 kW



YORK® YCSE Style C chiller is designed for water or water-glycol cooling. It is designed for indoor installation in a plant room. The unit is completely factory assembled with all interconnecting refrigerant piping and wiring ready for field installation. **YCSE** unit is pressure tested, evacuated, and fully factory charged with refrigerant R134a and oil. After assembly, an operational test is performed with water flowing through the evaporator and condenser to ensure that each refrigerant circuit operates correctly.



Modular Concept for maximum installation flexibility

Features

Efficient screw compressors

Highly efficient the **YORK® YCSE Style C** offers the highest standard of reliability and economical operation utilizing twin-screw rotor technology and fully modulating compressor slide valve unloading, together with low inrush current star delta starters. To further improve the operating efficiency the leaving liquid temperature can be remotely reset.

Quiet operation

The compressor has been designed so that there is minimal external gas pulsations and integral oil separators resulting in very low sound and vibration levels.

Small footprint

The compact design is ideally suited for reduced base area locations. The unit frame is manufactured from heavy gauge galvanized steel coated with baked-on powder paint.

Extended Heating range (NEW)

Operating range in heat pump mode has been extended, YCSE Style C units are now able to provide heated water outlet up to 60°C when it's working as a heat pump.

Options / Accessories

- BMS Interface (Modbus, Bacnet)
- Compressor Circuit Breaker
- Power Meter
- Heat pump sensor kit
- Evaporator Heater
- Cable Power Routing
- High Leaving Evaporator temperature
- High Condenser Water and glycol options
- Pressure Relief Valve (single/dual)
- Dual Compressor safety valve
- Suction and/or Discharge stop valves
- Water connection flanges
- Differential Water Pressure Switch
- Water Flow Switch and Water Filter
- Anti-vibration mounts (rubber or springs)

Nominal capacity and technical data

Model	YCSE				YCRE		
	0141	0181	0221	0241	0141	0181	0221
Cooling Capacity (kW) *	139.6	179.5	219.5	249.3	135	175	215
EER	4.84	4.80	4.71	4.72	4.22	4.19	4.10
ESEER	5.35	5.69	5.71	5.72	Not Applicable		
SEER	5.14	5.46	5.51	5.52			
n _{s,c}	203	215	217	218			
Sound power level (dBA)	88	89	90	91	88	89	90
Length / Width / Height (mm)	Base 1 378 max / 806 / 1 681						
Operating weight (kg)	860	950	1 040	1 075	765	835	900

* YCSE: At 35°C leaving condenser liquid temperature and 7°C leaving chilled liquid temperature according to EUROVENT calculation EN14511:2011

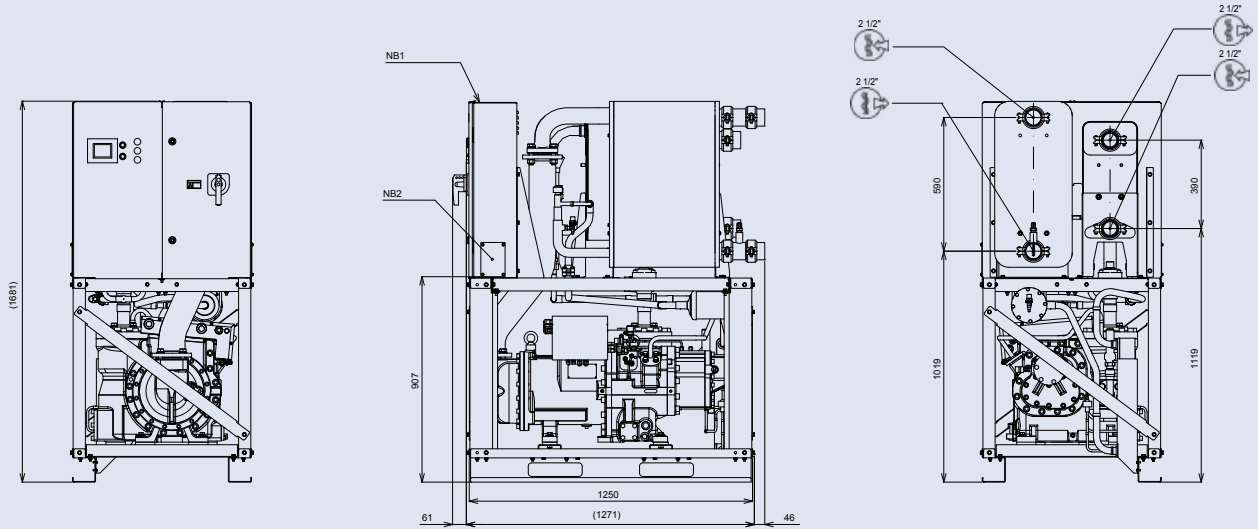
* YCRE: At 45°C condensing temperature and 7°C leaving chilled liquid temperature

The above data is based on Johnson Control's selection software YORKworks 18.06. Please refer to the latest version of the software for specific projects

Dimensions and hydraulic connections

YCSE 0141 to 0241

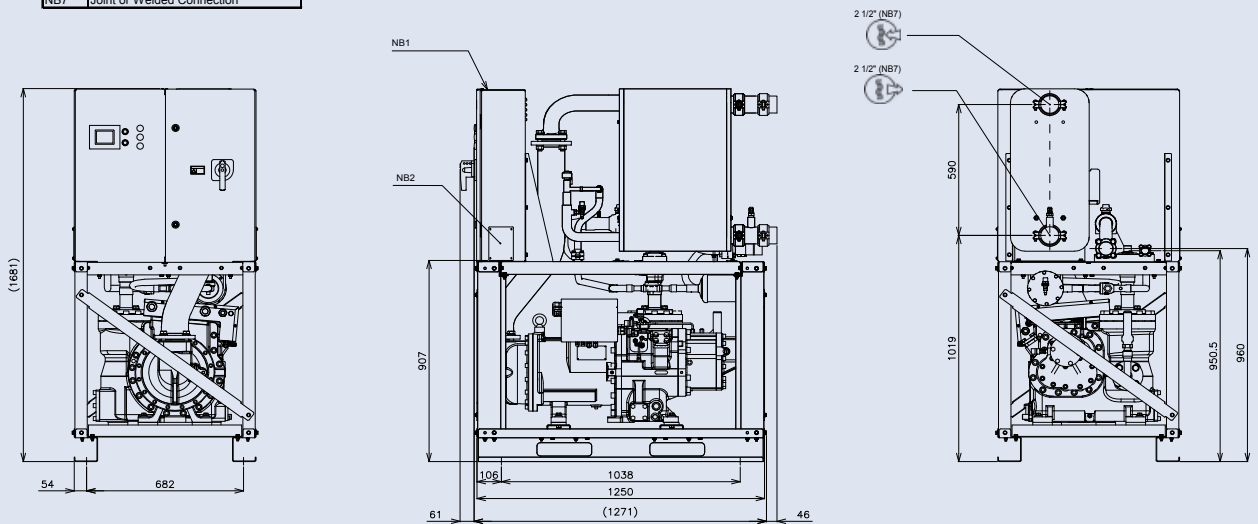
NB1	Electrical Box
NB2	Customer Wiring Entry (both sides)
NB3	2 1/2" Victaulic Connection
NB4	76.1 mm Welded Connection



All dimensions in mm. Drawings not a scale.

YCRE 0141 to 0221

NB1	Electrical Box
NB2	Customer Wiring Entry (both sides)
NB3	28.58 mm Brazing Connection
NB4	53.98 mm Brazing Connection
NB5	2 1/2" Joint Connection
NB6	76.1 mm Welded Connection
NB7	Joint or Welded Connection



All dimensions in mm. Drawings not a scale.



Manufacturer reserves the rights to change specifications without prior notice.